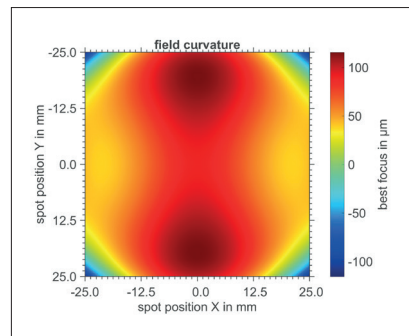
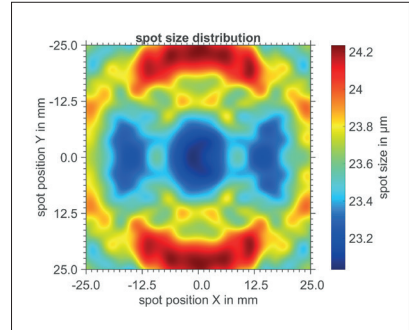


F-Theta JENar™ Silverline™ Lens

High Power Lens – JENar™ 161-1030...1080-71

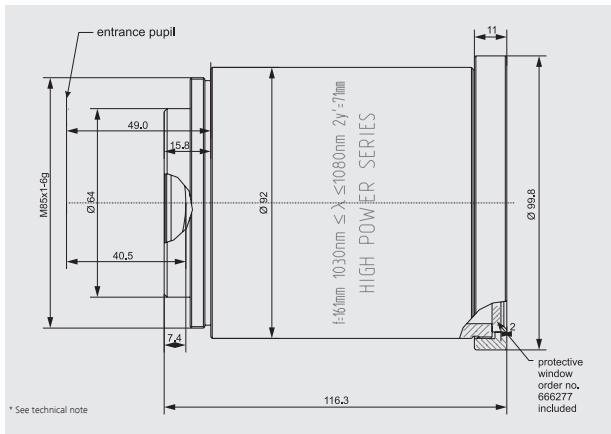
Parameters	JENar™ 161-1030...1080-71 Fused silica lens for Ultrashort pulse
Focal length:	161 mm
Wavelength:	1030...1080 nm
Scan field (X x Y); Ø:	(50 mm x 50 mm); 71 mm
Diagonal scan angle:	± 12.7°
X/Y mirror angle:	± 4.5°
Back working distance:	153.5 mm
Flange focus distance:	254.5 mm
Input beam Ø 1/e²:	14 mm
Focus size Ø 1/e²:	23 µm
a1 a2:	17 mm 40.5 mm
Telecentricity (only F-Theta with scanner):	4.1° 4.2°
Absorption:	fused silica: < 15 ppm/cm coating: < 5 ppm (mean = 3 ppm)
Group delay dispersion (GDD)*:	583 fs²
LIDT coating pulsed; CW*:	5.0 J/cm² * (τ[ns]) ^ 0.35; 5 MW/cm²
LIDT system pulsed; CW*:	5.0 J/cm² * (τ[ns]) ^ 0.35; 5 MW/cm²
Weight:	0.917 kg
Order Number:	660149

Spot properties

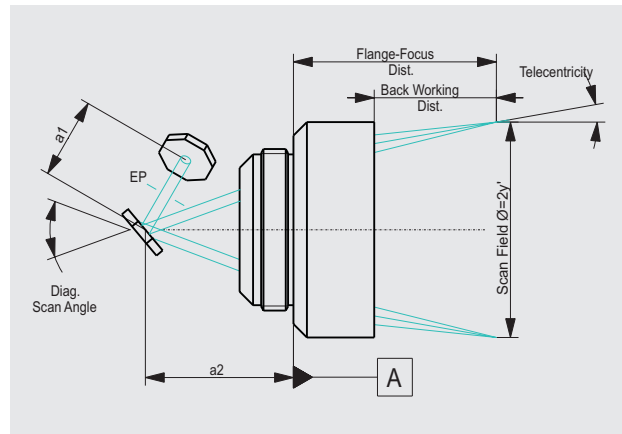


Specifications

JENar™ 161-1030...1080-71



Definition of geometrical parameters



JENar®: Registered in EU, CN, JP, SG, US | Silverline®: Registered in DE, JP, SG, IN

The data given are nominal values for the specified application parameters. Jenoptik provides Zemax® BlackBox files for simulating application results for customized parameters (e.g. wavelength, scanner geometry, beam diameter, ...).
Back working distance, Flange focus distance, and focal length vary by ± 1.5 % due to manufacturing variances.

It is our policy to constantly improve the design and specifications. Accordingly, the details represented herein cannot be regarded as final and binding.