



JENOPTIK

105 mm f/4.5 250-650 nm Multispectral UV SLR Lens

The Jenoptik UV SLR Lens allows capturing both UV and visible images without a focus adjustment for the color shift. The lens can be used for applications below 250 nm with narrow band filters. The Nikon and C-mount lens was developed to use with the increasingly ultraviolet sensitive CCDs offered in the marketplace.

This lens is well-suited for a variety of applications in the fields of security, biological characterization, combustion analysis, forensics and professional photography.

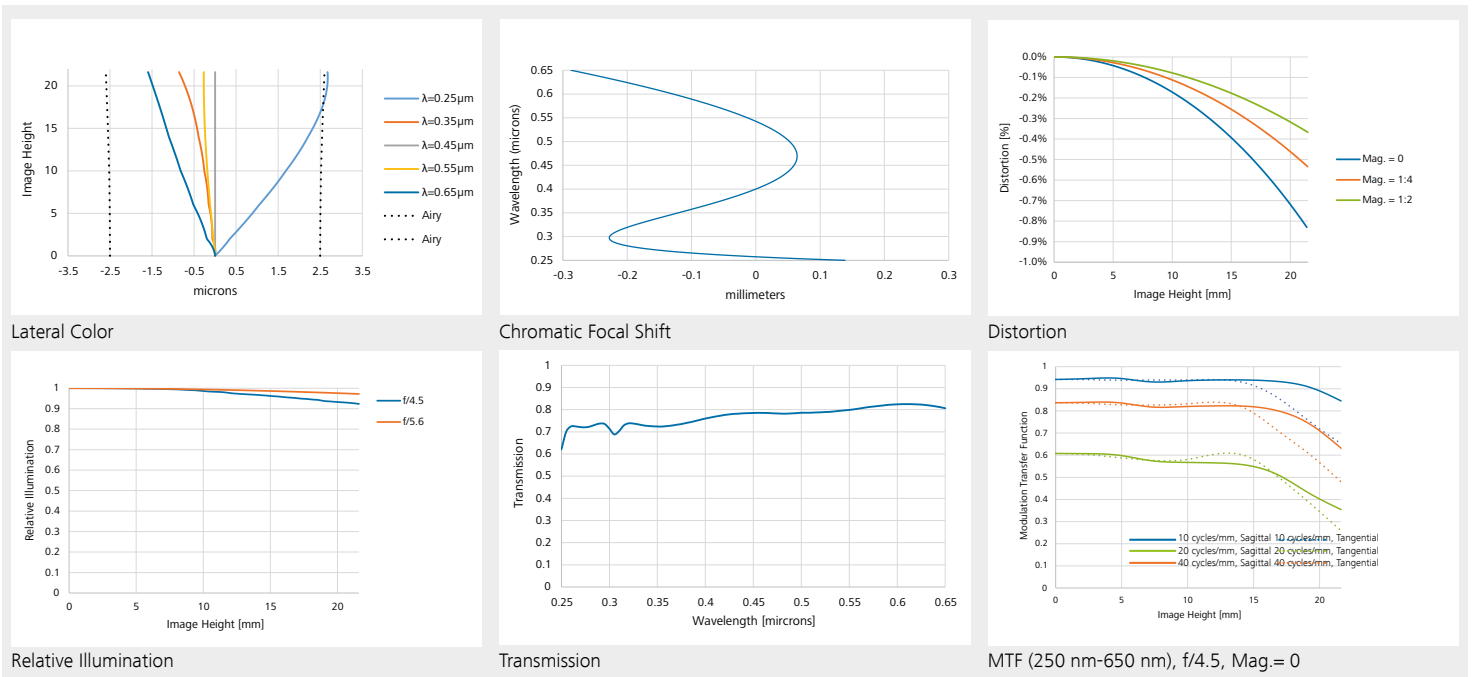
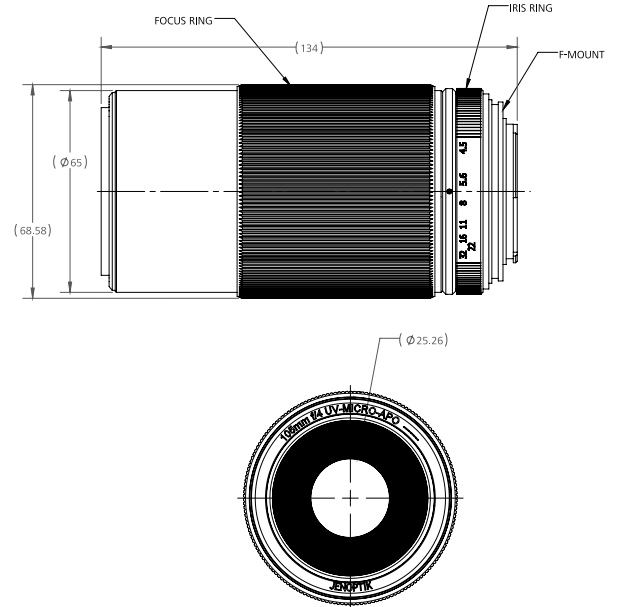
Features

- Apochromatic
- Macro lens
- Manual focus (0.5 m-infinity)
- 52 mm filter mount
- Aperture (4.5-32)

105 mm f/4.5 250-650 nm Multispectral UV SLR Lens

Specification

Spectral Range:	250 nm – 650 nm
Focal Length:	105 mm
Focal Ratio:	f/4.5 to f/32
Image Format:	24 mm x 36 mm
Field of View:	26.56° H x 16.68° V
Diagonal Field of View:	29.78°
Distortion:	Less than 1 % over the full image format
Image Circle:	43.27 mm
Minimum Object Distance:	300 mm
Filter Mount:	52 mm
Lens Mount:	Nikon F-mount
Dimensions:	5.26" L x 2.70" Ø
Weight:	620 g
Order Number:	10-02315000



It is our policy to constantly improve the design and specifications. Accordingly, the details represented herein cannot be regarded as final and binding.

JENOPTIK | Optical Systems
 JENOPTIK Optical Systems, LLC.
 16490 Innovation Drive | Jupiter, FL 33478-6428 | USA
 Phone +1 561 881-7400 | sales@jenoptik-inc.com
 www.jenoptik.us

